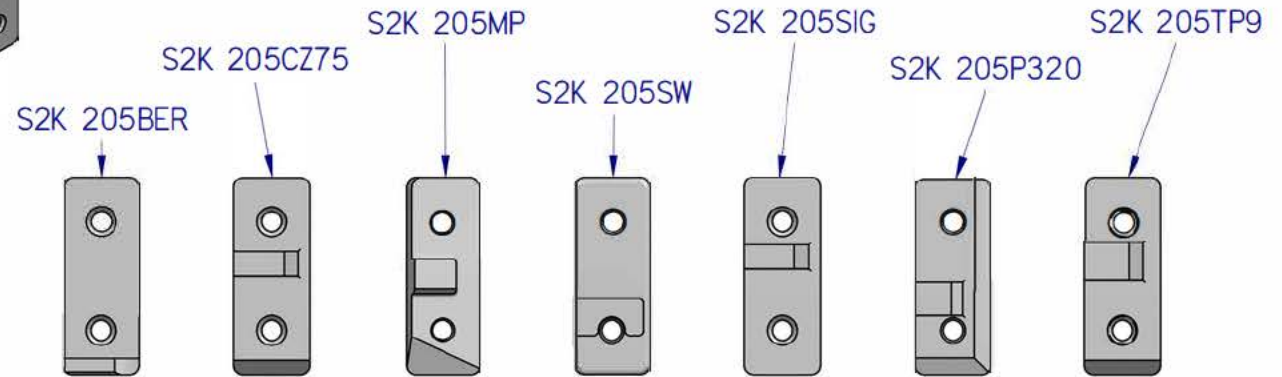
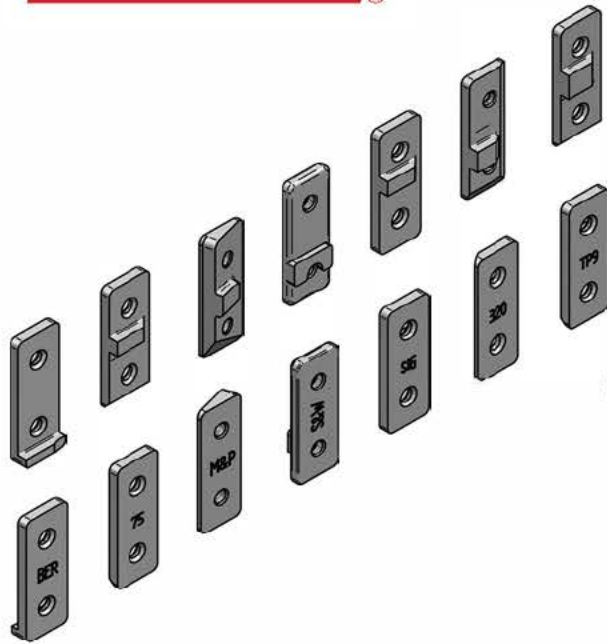




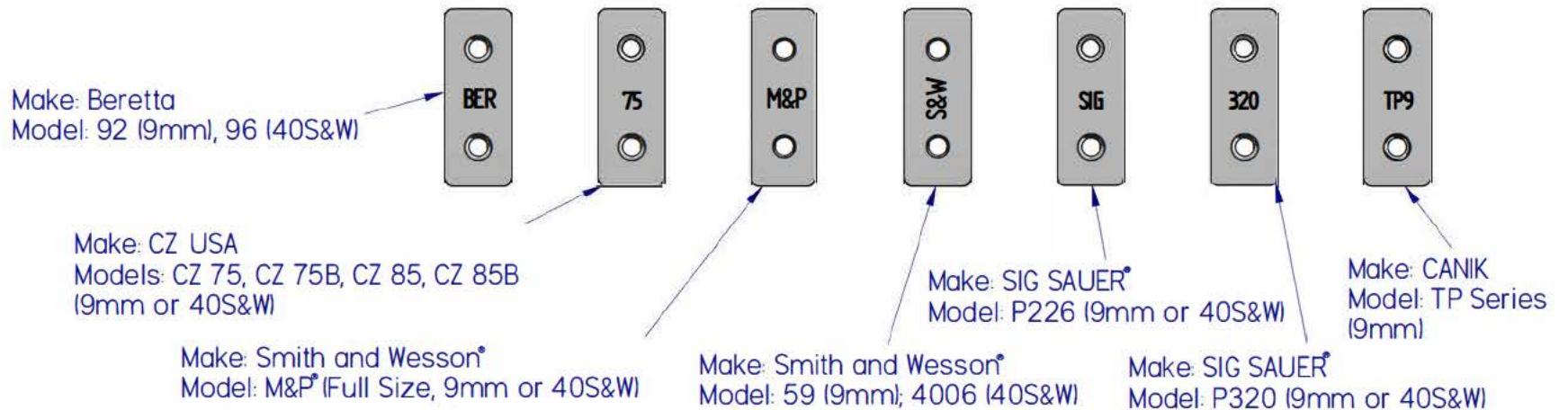
SUB2000[™] MAG CATCH INSERT CHART

- SUB2000[™] Mag Catch Inserts will only work in the SUB2000[™] Multi Mag Variant (NON-GLOCK).
- Beretta (S2K 205BER) and Smith and Wesson[®] M&P[®] (S2K 205MP) are production models.
- All Mag Catch Inserts are sold as an accessory on the KelTec website.

WILL NOT WORK IN ANY GLOCK GRIP.

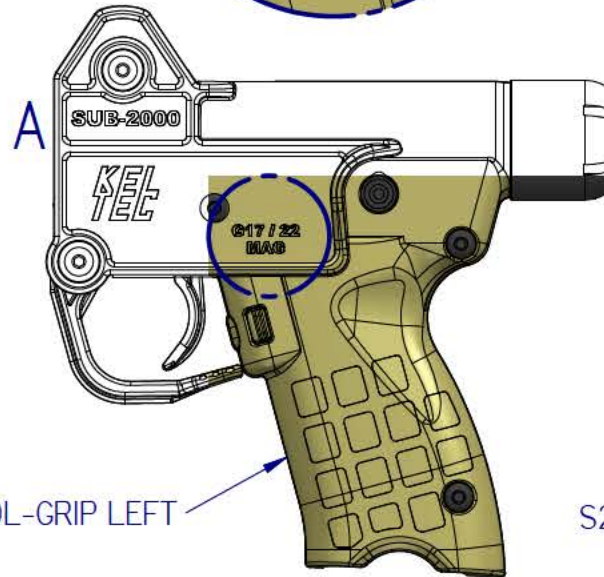
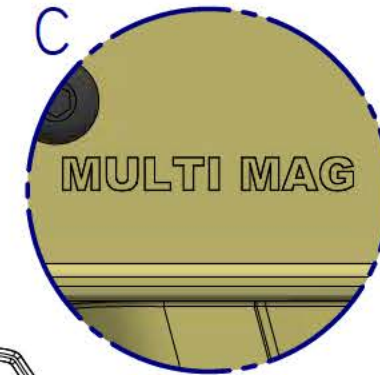
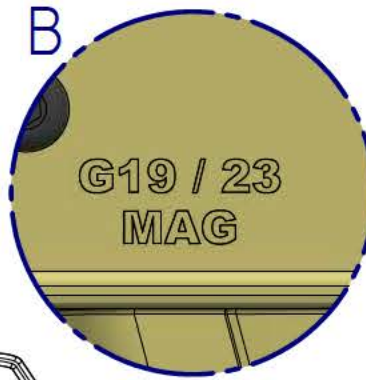


FOR USE IN THE SUB-2000[™] MULTI MAG VARIANT ONLY.





SUB2000 GRIP COMPARISON



S2K-410L-GRIP LEFT

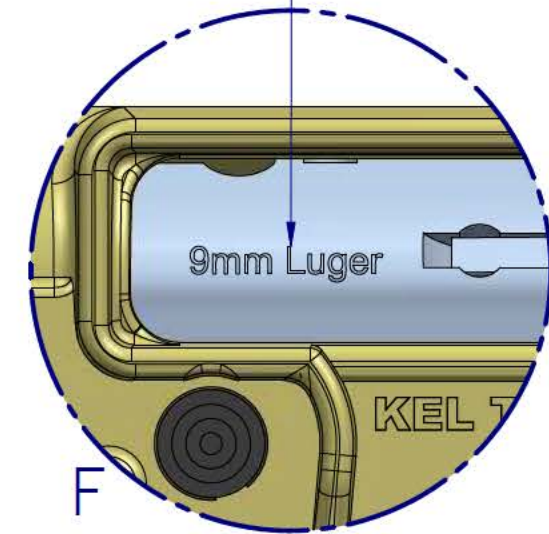


S2K-410LS-GRIP LEFT SHORT

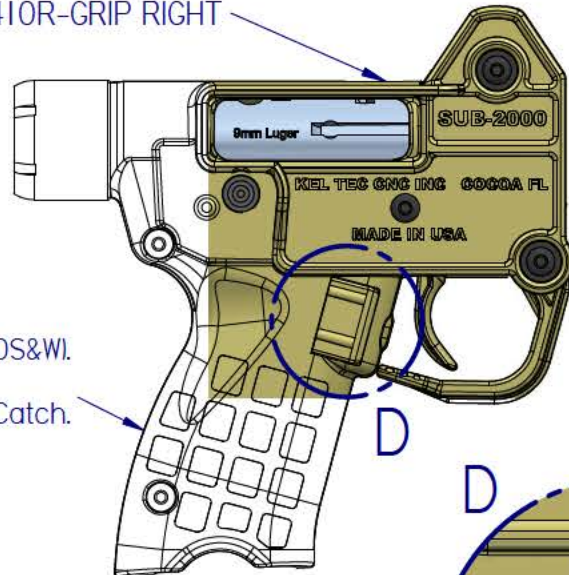


S2K-410ML-MM GRIP LEFT

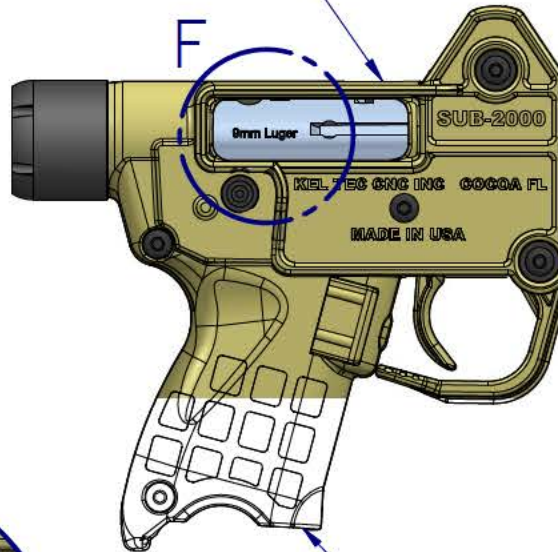
CALIBER DESIGNATION ON BOLT.
9MM LUGER OR 40 S&W



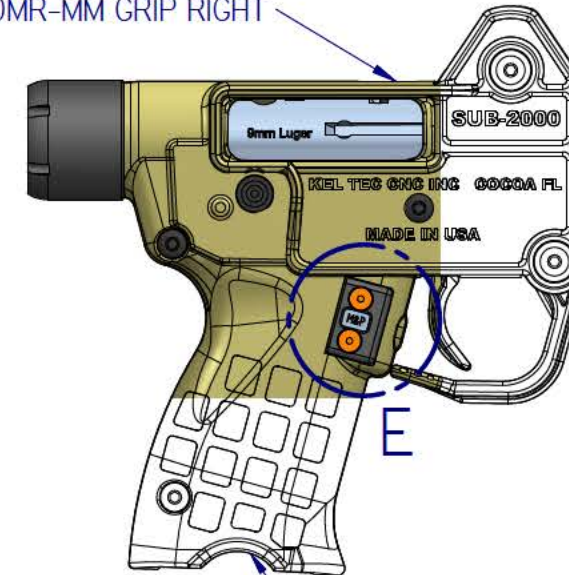
S2K-410R-GRIP RIGHT



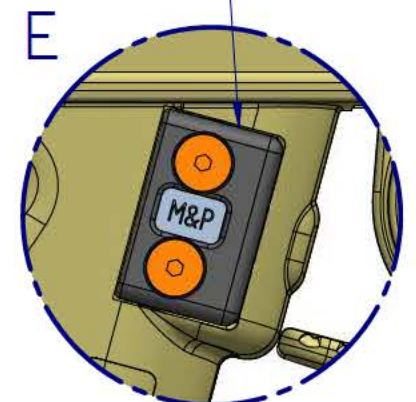
S2K-410RS-GRIP RIGHT SHORT



S2K-410MR-MM GRIP RIGHT

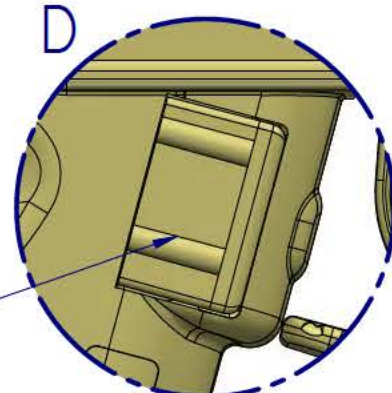


S2K-1205MM-MAG CATCH:
1) S2K-205SW-MAG CATCH (QTY: 1)
2) S2K-206-MAG CATCH SCREW (QTY: 2).
3) MAG CATCH INSERT (QTY: 1).
(SEE MAG CATCH INSERT CHART).



Model: Glock 17 (9mm) or Glock 22 (40S&W).
Magazines: Glock 17 or Glock 22.
Mag Catch: SUB-2000-205-GLK Mag Catch.
(Picture D).

S2K-205-GLK MAG CATCH



Model: Glock 19 (9mm) or Glock 23 (40S&W).
Magazines: Glock 17, 19 or Glock 22, 23.
Mag Catch: SUB-2000-205-GLK Mag Catch.
(Picture D).

Model: Beretta or Smith and Wesson® M&P™
Magazines: Beretta 92, 96 or M&P® 9 or M&P® 40 ***
Mag Catch: SUB-2000-1205MM-MAG CATCH
***Two different production models; other models
available aftermarket with different mag catch inserts.
*** See Mag Catch Insert Chart for
full list of magazines / mag catch inserts.