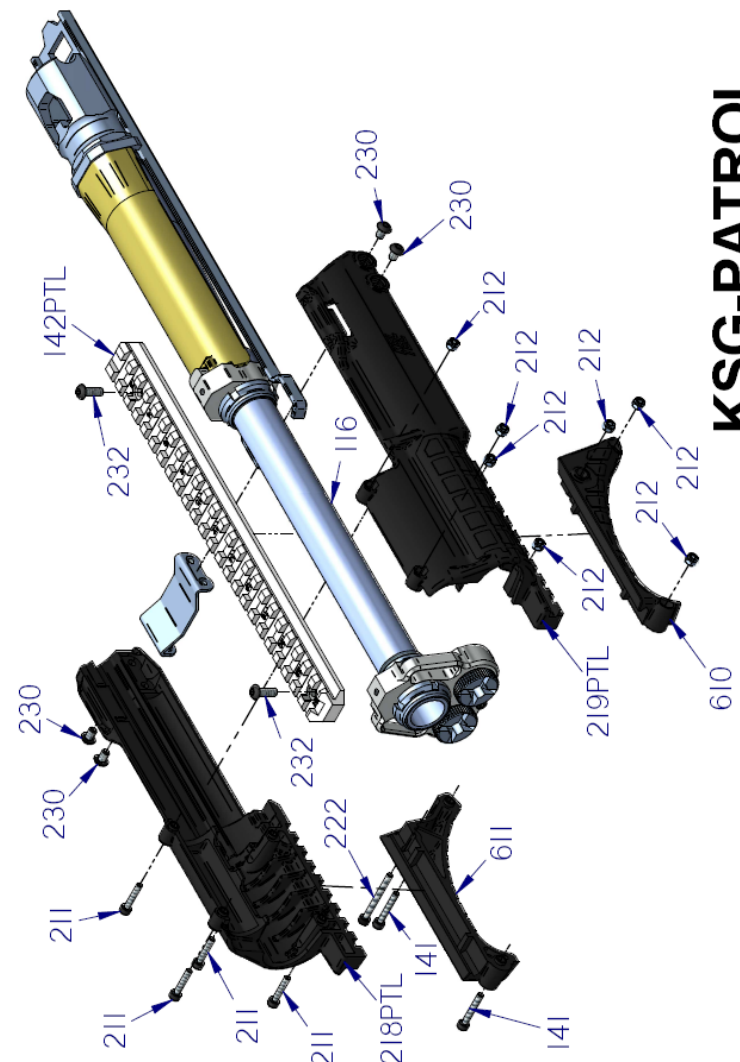


KSG-PATROL Specifications	
Operating System	Pump Action
Gauge	12
Capacity	5+5+1 dual magazines, 3" shells; 6+6+1 dual magazines, 2.75" shells.
Chamber	12-gauge 3.00" (76 mm)
Barrel Length	16.1" (410 mm)
Length of Pull	13.0" (330 mm)
Forend Travel	4.1" (104 mm)
Accessory Mount	MIL-STD-1913 Picatinny Rail

Dimensions and Weight	
Total Length	23.7" (604mm)
Total Width	2.2" (56 mm)
Total Height	8.0" (204 mm)
Width of Grip	1.2" (30 mm)
Width of Forend	2.1" (54 mm)
Width of Stock	2.1" (54 mm)
Weight	6.7 lbs (3.04 kg)

# K&E



- 116 BARREL 16 PTL
- 141 M3-20 SOCKET HEAD
- 142PTL PICATINNY PTL
- 211 M3-16 SOCKET HEAD
- 212 M3 NUT
- 218PTL PATROL FOREND RIGHT
- 219PTL PATROL FOREND LEFT
- 222 M3-30 SOCKET HEAD
- 230 M4-6 BUTTON HEAD
- 232 M4-12 BUTTON HEAD
- 610 ANGLED FOREND LEFT
- 611 ANGLED FOREND RIGHT

## KSG-PATROL Exclusive Parts

Note: Parts 611 & 610 are removable to expose Picatinny on Forend to attach different accessories. FOR ALL OTHER PARTS, SEE KSG MANUAL

# KEL-TEC KSG PATROL

Safety, Instruction, and Parts Manual Supplement  
12 gauge Short Barrel Shotgun. NFA regulations apply.

**KEL-TEC CNC INDUSTRIES INC.**

1505 COX ROAD  
COCOA, FL 32926  
321-631-0068

[WWW.KELTECWEAPONS.COM](http://WWW.KELTECWEAPONS.COM)

"THE USE OF A LOCKING DEVICE OR SAFETY LOCK IS ONLY ONE ASPECT OF RESPONSIBLE FIREARM STORAGE. FIREARMS SHOULD BE STORED UNLOADED AND LOCKED IN A LOCATION THAT IS BOTH SEPARATE FROM THEIR AMMUNITION AND INACCESSIBLE TO CHILDREN AND OTHER UNAUTHORIZED PERSONS."



**MADE IN THE U.S.A.**