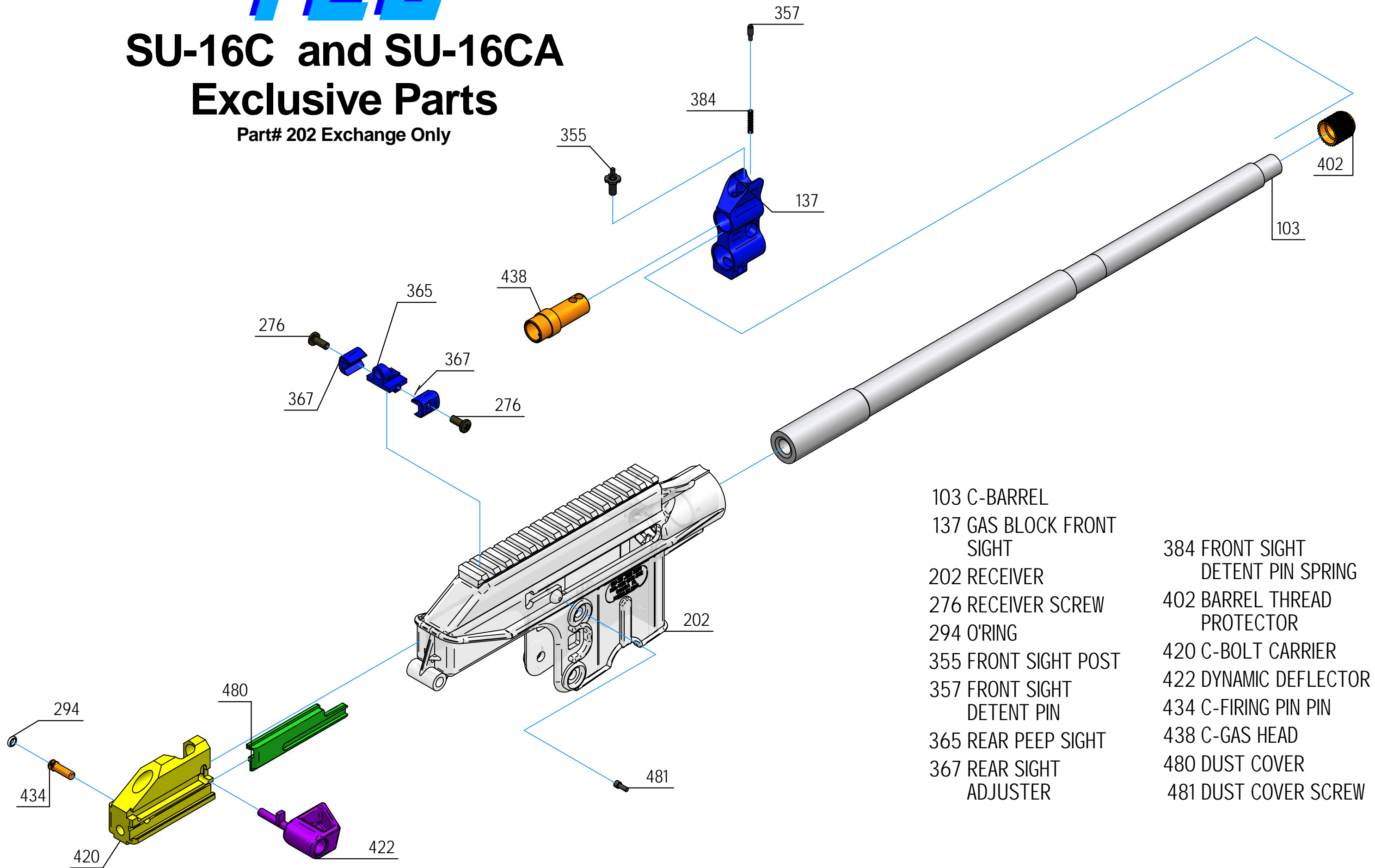




SU-16C and SU-16CA Exclusive Parts

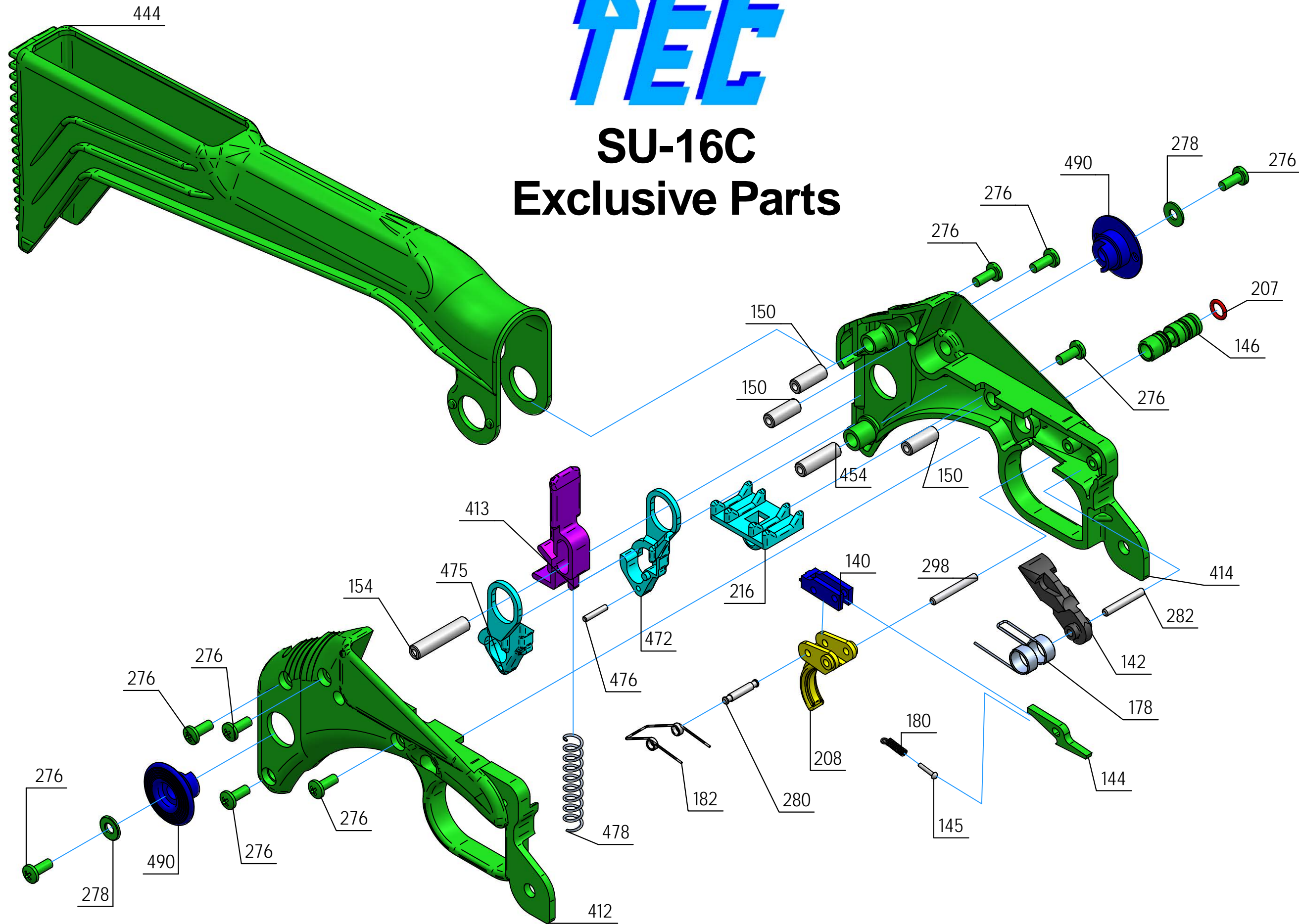
Part# 202 Exchange Only



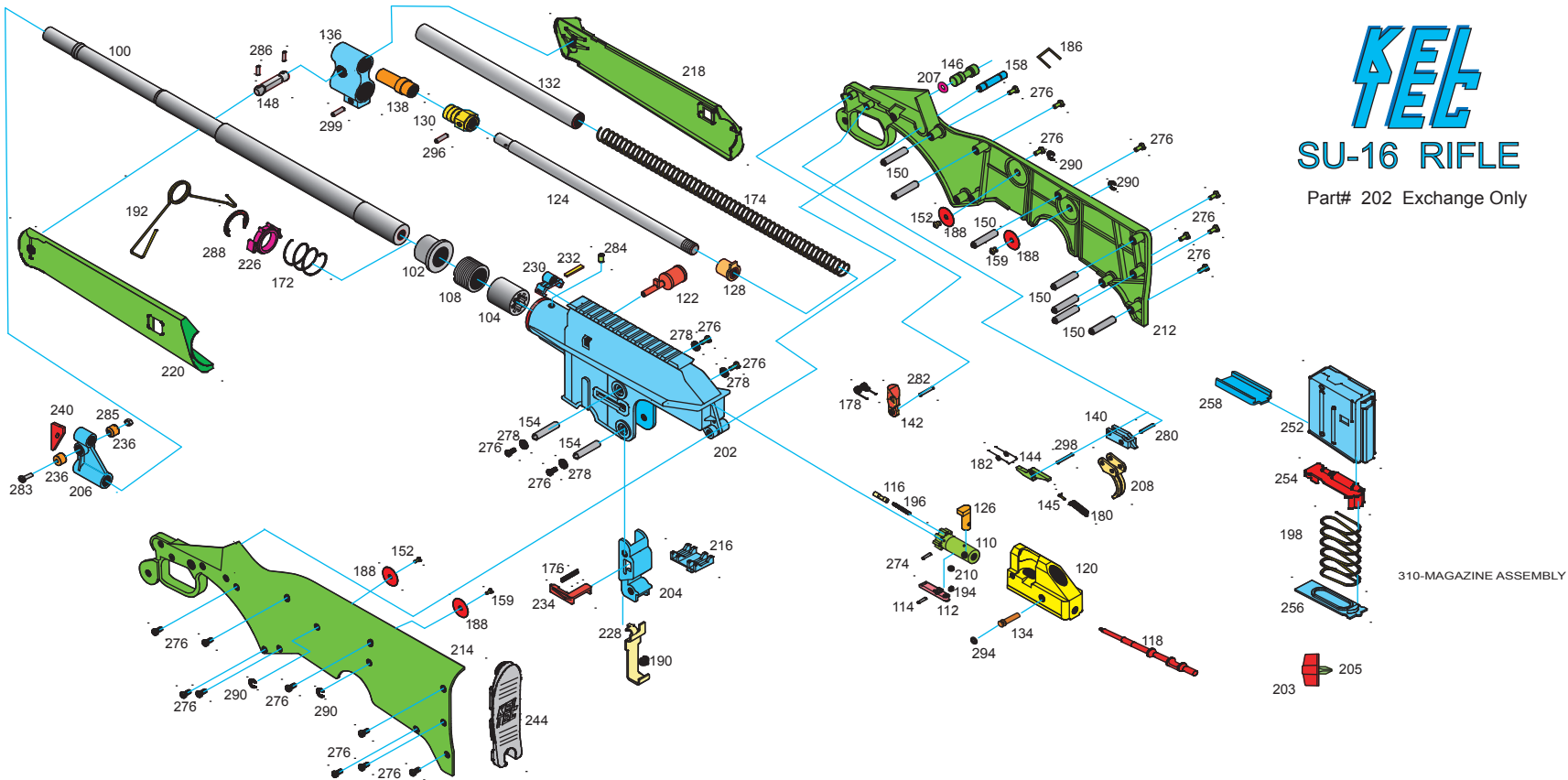
- 103 C-BARREL
- 137 GAS BLOCK FRONT SIGHT
- 202 RECEIVER
- 276 RECEIVER SCREW
- 294 O'RING
- 355 FRONT SIGHT POST
- 357 FRONT SIGHT DETENT PIN
- 365 REAR PEEP SIGHT
- 367 REAR SIGHT ADJUSTER
- 384 FRONT SIGHT DETENT PIN SPRING
- 402 BARREL THREAD PROTECTOR
- 420 C-BOLT CARRIER
- 422 DYNAMIC DEFLECTOR
- 434 C-FIRING PIN PIN
- 438 C-GAS HEAD
- 480 DUST COVER
- 481 DUST COVER SCREW

KEL TEL

SU-16C Exclusive Parts



- 140 TRIGGER BLOCK
- 142 HAMMER
- 144 SEAR
- 145 SEAR SPRING PIN
- 146 SAFETY
- 150 STOCK SPACER-16
- 154 SPACER-29
- 178 HAMMER SPRING
- 180 SEAR SPRING
- 182 TRIGGER SPRING
- 207 RED O'RING
- 208 TRIGGER
- 216 RECEIVER SPREADER
- 276 RECEIVER SCREW
- 278 RECEIVER WASHER
- 280 SEAR PIN
- 282 HAMMER AXIS
- 298 TRIGGER AXIS
- 412 FOLDING GRIP RIGHT
- 413 STOCK LOCK
- 414 FOLDING GRIP LEFT
- 444 FOLDING STOCK
- 454 SPACER-21
- 472 FOLDING STOCK SNAP LEFT
- 475 FOLDING STOCK SNAP RIGHT
- 476 FOLDING STOCK SNAP PIN
- 478 FOLDING STOCK SNAP SPRING
- 490 STOCK CAP



K&E

SU-16 RIFLE

Part# 202 Exchange Only

310-MAGAZINE ASSEMBLY

SU-16A RIFLE PARTS LIST

Part # 202 Exchange Only

100-BARREL
102-BARREL NUT
104-BARREL EXTENSION
108-BARREL RETAINER
110-BOLT
112-EXTRACTOR
114-EXTRACTOR AXIS
116-EJECTOR
118-FIRING PIN
120-BOLT CARRIER
122-OPERATING HANDLE
124-PISTON ROD
126-CAM PIN
128-RECOIL SPRING CATCH
130-PISTON HEAD
132-RECOIL SPRING TUBE
134-FIRING PIN PIN
136-GAS BLOCK
138-GAS HEAD
140-TRIGGER BLOCK
142-HAMMER
144-SEAR
145-SEAR SPRING PIN
146-SAFETY
148-FOREND AXIS
150-STOCK SPACER-16
152-MAG SNAP PIN-SHORT
154-SPACER-29
158-ASSEMBLY PIN
159-MAG SNAP PIN-LONG
172-FOREND LOCK SPRING
174-RECOIL SPRING
176-MAGAZINE CATCH SPRING
178-HAMMER SPRING
180-SEAR SPRING
182-TRIGGER SPRING
186-STOCK PIN SPRING
188-MAGAZINE SNAP SPRING
190-BOLT STOP SPRING
192-FOREND SPREADER SPRING
194-EXTRACTOR SPRING
196-EJECTOR SPRING
198-MAGAZINE SPRING
202-RECEIVER
203-DRIVER HOUSING
204-MAG WELL
205-PHILLIPS DRIVER
206-FRONT SIGHT
207-RED O'RING
208-TRIGGER
210-EXTRACTOR SPRING BUFFER
212-STOCK-RIGHT
214-STOCK-LEFT
216-RECEIVER SPREADER
218-FOREND-RIGHT
220-FOREND-LEFT
226-FOREND LOCK
228-BOLT STOP
230-REAR SIGHT-PEEP
232-REAR SIGHT LOCK
234-MAG CATCH
236-FRONT SIGHT SCREW
240-FRONT SIGHT POST
244-RECOIL PAD
252-MAGAZINE HOUSING
254-MAGAZINE FOLLOWER
256-MAGAZINE PLATE
258-MAGAZINE BOTTOM
268-SAFETY/OPERATION MANUAL
274-EJECTOR PIN
276-RECEIVER SCREW
278-RECEIVER WASHER
280-SEAR PIN
282-HAMMER AXIS
283-FRONT SIGHT LOCK SCREW
284-BARREL EXTENSION PIN
285-FRONT SIGHT LOCK NUT
286-FOREND PIN
288-F.E. LOCK RETAINING RING
290-MAG SNAP E-RING
294-O'RING
296-PISTON PIN
298-TRIGGER AXIS
299-GAS BLOCK PIN
310-MAGAZINE ASSEMBLY

SU-16B RIFLE PARTS LIST

Part # 202 Exchange Only

102-BARREL NUT
104-BARREL EXTENSION
106-FRAME BUSHING
108-BARREL RETAINER
110-BOLT
112-EXTRACTOR
114-EXTRACTOR AXIS
116-EJECTOR
118-FIRING PIN
120-BOLT CARRIER
122-OPERATING HANDLE
124-PISTON ROD
126-CAM PIN
128-RECOIL SPRING CATCH
130-PISTON HEAD
132-RECOIL SPRING TUBE
134-FIRING PIN PIN
136-GAS BLOCK
138-GAS HEAD
140-TRIGGER BLOCK
142-HAMMER
144-SEAR
145-SEAR SPRING PIN
146-SAFETY
148-FOREND AXIS
150-STOCK SPACER-16
152-MAG SNAP PIN-SHORT
154-SPACER-29
158-ASSEMBLY PIN
159-MAG SNAP PIN-LONG
172-FOREND LOCK SPRING
174-RECOIL SPRING
176-MAGAZINE CATCH SPRING
178-HAMMER SPRING
180-SEAR SPRING
182-TRIGGER SPRING
186-STOCK PIN SPRING
188-MAGAZINE SNAP SPRING
190-BOLT STOP SPRING
192-FOREND SPREADER SPRING
194-EXTRACTOR SPRING
196-EJECTOR SPRING
198-MAGAZINE SPRING
202-RECEIVER
203-DRIVER HOUSING
204-MAG WELL
205-PHILLIPS DRIVER
207-RED O'RING
208-TRIGGER
210-EXTRACTOR SPRING BUFFER
212-STOCK-RIGHT
214-STOCK-LEFT
216-RECEIVER SPREADER
218-FOREND-RIGHT
220-FOREND-LEFT
226-FOREND LOCK
228-BOLT STOP
234-MAG CATCH
244-RECOIL PAD
252-MAGAZINE HOUSING
254-MAGAZINE FOLLOWER
256-MAGAZINE PLATE
258-MAGAZINE BOTTOM
268-SAFETY/OPERATION MANUAL
274-EJECTOR PIN
276-RECEIVER SCREW
278-RECEIVER WASHER
280-SEAR PIN
282-HAMMER AXIS
284-BARREL EXTENSION PIN
286-FOREND PIN
288-F.E. LOCK RETAINING RING
290-MAG SNAP E-RING
294-O'RING
296-PISTON PIN
298-TRIGGER AXIS
299-GAS BLOCK PIN
300-AIR WEIGHT BARREL
310-MAGAZINE ASSEMBLY
321-ALUMINUM FRONT SIGHT
322-ALUMINUM FRONT SIGHT SET SCREW
355-FRONT SIGHT POST
357-FRONT SIGHT DETENT PIN

SU-16C RIFLE PARTS LIST

Part # 202 Exchange Only

102-BARREL NUT
103-BARREL CARBINE
104-BARREL EXTENSION
108-BARREL RETAINER
110-BOLT
112-EXTRACTOR
114-EXTRACTOR AXIS
116-EJECTOR
118-FIRING PIN
124-PISTON ROD
126-CAM PIN
128-RECOIL SPRING CATCH
130-PISTON HEAD
132-RECOIL SPRING TUBE
137-GAS BLOCK FRONT SIGHT
140-TRIGGER BLOCK
142-HAMMER
144-SEAR
145-SEAR SPRING PIN
146-SAFETY
148-FOREND AXIS
150-STOCK SPACER-16
154-SPACER-29
158-ASSEMBLY PIN
172-FOREND LOCK SPRING
174-RECOIL SPRING
176-MAGAZINE CATCH SPRING
178-HAMMER SPRING
180-SEAR SPRING
182-TRIGGER SPRING
186-STOCK PIN SPRING
190-BOLT STOP SPRING
192-FOREND SPREADER SPRING
194-EXTRACTOR SPRING
196-EJECTOR SPRING
198-MAGAZINE SPRING
202-RECEIVER
203-DRIVER HOUSING
204-MAG WELL
205-PHILLIPS DRIVER
207-RED O'RING
208-TRIGGER
210-EXTRACTOR SPRING BUFFER
216-RECEIVER SPREADER
218-FOREND-RIGHT
220-FOREND-LEFT
226-FOREND LOCK
228-BOLT STOP
234-MAG CATCH
252-MAGAZINE HOUSING
254-MAGAZINE FOLLOWER
256-MAGAZINE PLATE
258-MAGAZINE BOTTOM
268-SAFETY/OPERATION MANUAL
274-EJECTOR PIN
276-RECEIVER SCREW
278-RECEIVER WASHER
280-SEAR PIN
282-HAMMER AXIS
284-BARREL EXTENSION PIN
286-FOREND PIN
288-F.E. LOCK RETAINING RING
294-O'RING
296-PISTON PIN
298-TRIGGER AXIS
299-GAS BLOCK PIN
310-MAGAZINE ASSEMBLY
355-FRONT SIGHT POST
357-FRONT SIGHT DETENT PIN
365-REAR PEEP SIGHT
367-REAR SIGHT ADJUSTER
384-FRONT SIGHT DETENT PIN SPRING
402-BARREL THREAD PROTECTOR
412-FOLDING GRIP RIGHT
413-STOCK LOCK
414-FOLDING GRIP LEFT
420-C-BOLT CARRIER
422-DYNAMIC DEFLECTOR
434-C-FIRING PIN PIN
438-C-GAS HEAD
444-FOLDING STOCK
454-SPACER-21
472-FOLDING STOCK SNAP LEFT
475-FOLDING STOCK SNAP RIGHT
476-FOLDING STOCK SNAP PIN
478-FOLDING STOCK SNAP SPRING
480-DUST COVER
481-DUST COVER SCREW
490-STOCK CAP

SU-16CA RIFLE PARTS LIST

Part # 202 Exchange Only

102-BARREL NUT
103-BARREL CARBINE
104-BARREL EXTENSION
108-BARREL RETAINER
110-BOLT
112-EXTRACTOR
114-EXTRACTOR AXIS
116-EJECTOR
118-FIRING PIN
124-PISTON ROD
126-CAM PIN
128-RECOIL SPRING CATCH
130-PISTON HEAD
132-RECOIL SPRING TUBE
137-GAS BLOCK FRONT SIGHT
140-TRIGGER BLOCK
142-HAMMER
144-SEAR
145-SEAR SPRING PIN
146-SAFETY
148-FOREND AXIS
150-STOCK SPACER-16
152-MAG SNAP PIN-SHORT
154-SPACER-29
158-ASSEMBLY PIN
159-MAG SNAP PIN-LONG
172-FOREND LOCK SPRING
174-RECOIL SPRING
176-MAGAZINE CATCH SPRING
178-HAMMER SPRING
180-SEAR SPRING
182-TRIGGER SPRING
186-STOCK PIN SPRING
188-MAGAZINE SNAP SPRING
190-BOLT STOP SPRING
192-FOREND SPREADER SPRING
194-EXTRACTOR SPRING
196-EJECTOR SPRING
198-MAGAZINE SPRING
202-RECEIVER
203-DRIVER HOUSING
204-MAG WELL
205-PHILLIPS DRIVER
207-RED O'RING
208-TRIGGER
210-EXTRACTOR SPRING BUFFER
212-STOCK-RIGHT
214-STOCK-LEFT
216-RECEIVER SPREADER
218-FOREND-RIGHT
220-FOREND-LEFT
226-FOREND LOCK
228-BOLT STOP
234-MAG CATCH
244-RECOIL PAD
252-MAGAZINE HOUSING
254-MAGAZINE FOLLOWER
256-MAGAZINE PLATE
258-MAGAZINE BOTTOM
268-SAFETY/OPERATION MANUAL
274-EJECTOR PIN
276-RECEIVER SCREW
278-RECEIVER WASHER
280-SEAR PIN
282-HAMMER AXIS
284-BARREL EXTENSION PIN
286-FOREND PIN
288-F.E. LOCK RETAINING RING
290-MAG SNAP E-RING
294-O'RING
296-PISTON PIN
298-TRIGGER AXIS
299-GAS BLOCK PIN
310-MAGAZINE ASSEMBLY
355-FRONT SIGHT POST
357-FRONT SIGHT DETENT PIN
365-REAR PEEP SIGHT
367-REAR SIGHT ADJUSTER
384-FRONT SIGHT DETENT PIN SPRING
402-BARREL THREAD PROTECTOR
420-C-BOLT CARRIER
422-DYNAMIC DEFLECTOR
434-C-FIRING PIN PIN
438-C-GAS HEAD
480-DUST COVER
481-DUST COVER SCREW