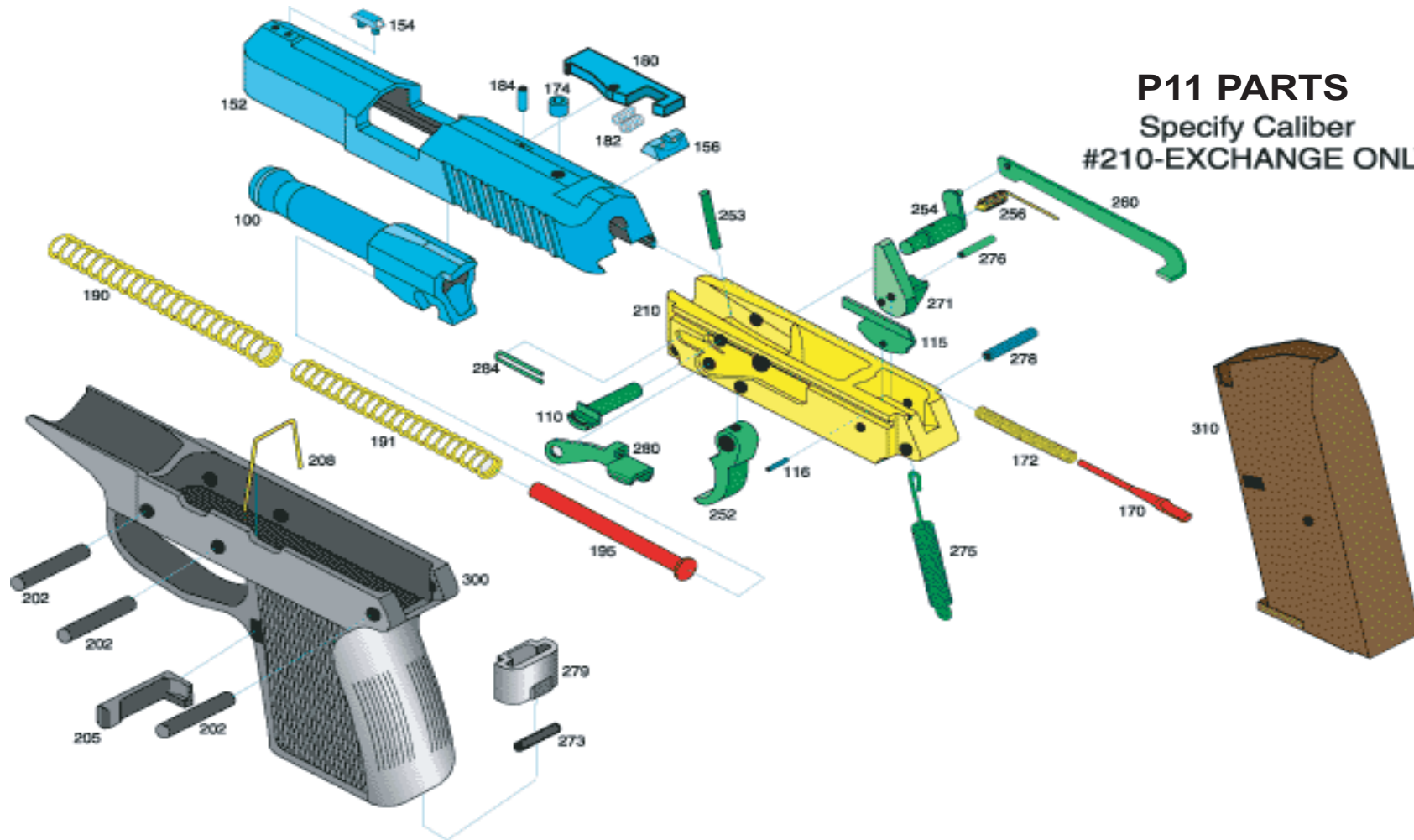


P11 PARTS

Specify Caliber
#210-EXCHANGE ONLY



100-BARREL
110-ASSEMBLY PIN
115-EJECTOR
116-EJECTOR PIN
152-SLIDE
154-FRONT SIGHT
156-REAR SIGHT
170-FIRING PIN
172-FIRING PIN SPRING
174-FIRING PIN SCREW
202-FRAME PIN(3)
205-MAGAZINE CATCH
208-MAG CATCH SPRING

180-EXTRACTOR
182-EXTRACTOR SPRING(2)
184-EXTRACTOR PIN
190-RECOIL SPRING, OUTSIDE
191-RECOIL SPRING, INSIDE
195-RECOIL SPRING GUIDE
202-FRAME PIN(3)
205-MAGAZINE CATCH
208-MAG CATCH SPRING
210-FRAME

252-TRIGGER
253-TRIGGER PIN
254-TRIGGER AXIS
256-TRIGGER SPRING
260-TRIGGER BAR
271-HAMMER
273-HAMMER SPRING PIN
275-HAMMER SPRING
276-HAMMER PIN
278-HAMMER AXIS

279-HAMMER SPRING CATCH
280-SLIDE STOP
284-SLIDE STOP SPRING
300-GRIP
310-MAGAZINE(10 ROUND)